

Item	DESCRIPTION				
	OUTPUT		R & N	EFFI.	
D-50A	5V, 1.0-6.0A	±2%	50mV	73%	50W Dual Output Switching PS
	12V, 0.3-2.0A	±5, -8%	100mV		
ESC-120-13.5	13.5V, 0-8A	±2%	120mV	81%	108W Desktop Power Supply or Charger
LPP-150-24	24V, 6.3A	±1%	100mV	83%	150W Single Output w/PFC Function
LPS-100-24	24, 4.2A	±1%	150mV	80%	100W Single Output w/PFC Function
LPS-75-12	12V, 6.2A	±2%	100mV	80%	75W Single Output Switching PS
PS-25-12	12V, 2.1A	±2%	100mV	78%	25W 1-2 Output Switching PS
PS-25-24	24V, 1.0A	±2%	240mV	79%	25W 1-2 Output Switching PS
PS-45-12	12V, 3.7A	±2%	100mV	76%	45W 1-3 Output Switching PS
PS-45-24	24V, 1.9A	±2%	100mV	78%	45W 1-3 Output Switching PS
PS-65-12	12V, 5.2A	±2%	100mV	79%	65W 1-3 Output Switching PS
PS-65-24	24V, 2.7A	±2%	100mV	80%	65W 1-3 Output Switching PS
Q-250D	5V, 2.0-15A	±2%	80mV	78%	250W Quad Output Switching PS
	12V, 0.5-6.0A	+6, -10%	120mV		
	24V, 0.5-5.0A	±8%	240mV		
	-12V, 0.0-1.0A	±6%	120mV		
S-100-24	24V, 0-4.5A	±1%	100mV	84%	100W Single Output Switching PS
S-145-24	24V, 0-6.0A	±1%	150mV	83%	145W Single Output Switching PS
S-145-5	5V, 0-25V	±2%	100mV	78%	145W Single Output Switching PS
S-150-12	12V, 0-12.5A	±1%	180mV	82%	150W Single Output Switching PS
S-15-12	12V, 0-1.3A	±1%	50mV	68%	15W Single Output Switching PS
S-15-24	24V, 0-.7A	±1%	50mV	73%	15W Single Output Switching PS
S-201-24	24V, 0-8.3A	±1%	150mV	81%	200W Single Output Switching PS
S-250-12	12V, 0-18.0A	±1%	120mV	79%	250W Single Output Switching PS
S-250-24	24V, 0-10.0A	±1%	120mV	81%	250W Single Output Switching PS
S-35-12	12V, 0-3.0A	±1%	100mV	76%	35W Single Output Switching PS
S-35-24	24V, 0-1.5A	±1%	100mV	78%	35W Single Output Switching PS
S-35-5	5V, 0-7.0A	±2%	75mV	70%	35W Single Output Switching PS
S-50-12	12V, 0-4.2A	±1%	100mV	78%	50W Single Output Switching PS
T-50A	5V, 0.6-7.0A	±2%	100mV	66%	50W Triple Output Switching PS
	12V, 0.2-1.0A	±5%	100mV		
	-5V, 0.2-1.0A	±5%	100mV		
	CONTINUE POWER	INPUT VDC	OUTPUT VAC/Hz	EFF	
A-301-300-F4	300W	15-Oct	230/50	82%	150W-600W DC-AC Square Wave Power Inverter

Visit, call or write us for other available power supplies!

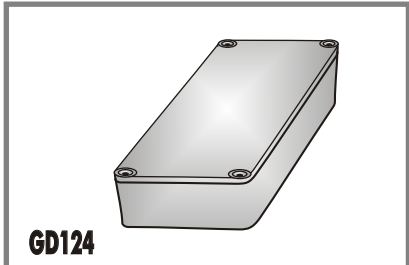
Avail at your nearest *Alexan* branch!!

812 Elcano St., Binondo, Manila • P.O. Box 4459 - Manila • Phones: 241-9493, 243-3327, 243-3328 • Fax: 241-9491  
• E-mail: sales@alexan.com.ph • Website: www.alexan.com.ph

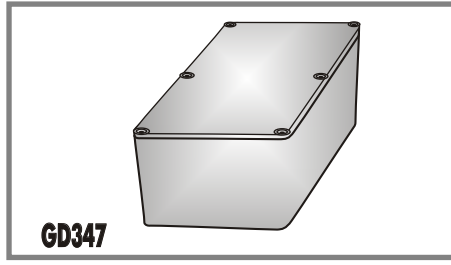
Branches: 631 Sales St., across G. Puyat (Raon), Quiapo, Manila • SM Megamall, 5th Level Bldg. A, Mandaluyong City • SM City, Cyberzone, North EDSA, Quezon City • SM Fairview, Lower Ground, corner Regalado St. and Quirino Highway, Q.C. • SM City Pampanga, G/F, Lagundi, Mexico, Pampanga.

# ALEXAN METAL CASES

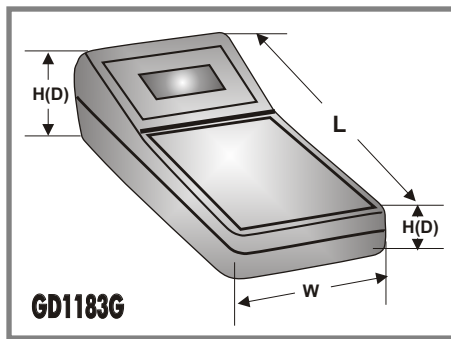
For electronic circuits requiring better protection against noise, nothing beats these metal cases...



	LENGTH	WIDTH	HEIGHT (DEPTH)
<b>GD123</b>	90	38	30
<b>GD124</b>	110	60	30
<b>GD234</b>	119	93.50	56.50



	LENGTH	WIDTH	HEIGHT (DEPTH)
<b>GD247</b>	187	118	56-50
<b>GD347</b>	187	118	81.70



	LENGTH	WIDTH	HEIGHT (DEPTH)
<b>G1168</b>	150	95	28.50/ 49.50
<b>G1169</b>	189	104.50	33.20/ 59
<b>GD1183G</b>	189	134	32/ 54.60

Note: All dimensions in millimeters (mm.). Come and visit our branches for complete information on our products and services.